



Tr 300mm(12") Solar Warning Traffic Lights

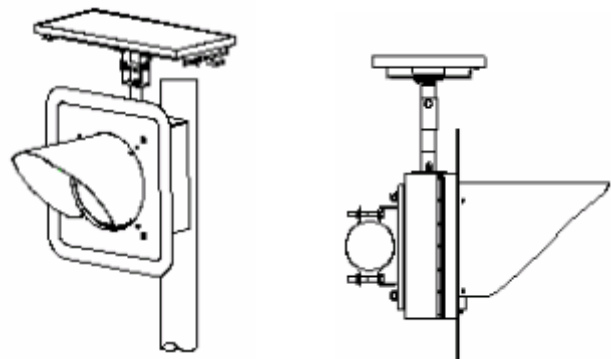
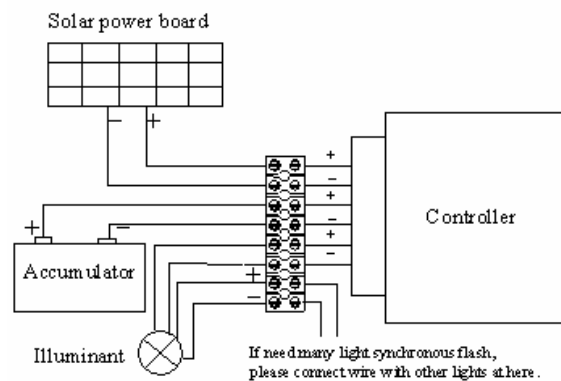


Model No. : HS300-3-15A

Product Feature

Light Source:Φ5mm Super Bright LED.
 Dimensions: Φ 400mm/Φ300mm,various polygon.;
 Display colors:yellow,or red,white. Can do;
 Life of Solar panel:10 years.
 Life of battery: 2 years.
 Working mode:flashing all the day / flashing only at night.
 Flashing frequency:35+_ time/minute.
 Protection Grade:IP54.
 Luminance intensity:>4000 cd/m².
 LED Visual angle:30 °
 Material: Polycarbonate (PC) or Aluminum.
 Reted voltage:DC12V.
 Light/dark contrast: 1:5
 Power consumption:<3W(5W).
 (Dimension:770mm×600mm×600mm)
 Uesd for warning road users at crossings,or dangerous areas where wiring not easy.adopt solar power, environment friendly,specialized in designing optical system resulting in wide visual angle and well distribution of light.;
 Convenient in installation, no wires to embed under ground.

Connect Sketch





Technical Parameter:

Specification	Φ300 mm	Solar battery 7Ah/12V	Capacity Producing area	10W		Producing area Up to 3 years	Germany Simens LED	Normal working life Producing area
	Accumulator			Capacity	China and America			
America	Intensity of one LED	2500 mcd	Normal working life	80,000 hours	Working temperature	-30 ~ 40°C	Flashing Frequency 12 V	1 HZ Working current at day
Work and vacancy proportion	1 : 3	Luminance proportion at day and night	2 : 1	Working time of continuous rainy day	4 days	Working voltage		
340 mA	Visual distance	>500 m	Gross weight	20kg	Installation Method	Hanging (Attached drawings)		

Specification

Accumulator	Capacity	7Ah/12V	Producing area	China and America	Normal working life	Up to 3 years
America	Intensity of one LED	2500 mcd	Normal working life	80,000 hours	Working temperature	-30 ~ 40°C